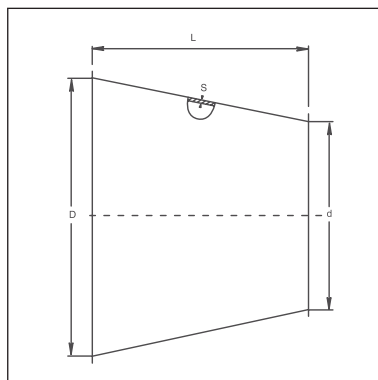


Reducing Cones

Code RC



Dimensional specifications are given in the table below

Material

Spot welded and made from 0.9mm galvanised steel

Dimensions

Refer to table
Other specifications made to order

Calculation of the length L of the taper

The difference between the large and the small diameter ($D - d$) of the reducing cone is plotted on the vertical axis (y) in the system of co-ordinates.

By following the line from this point to the intersection, the length L is read in the corresponding point on the horizontal axis (x) in the system of co-ordinates.

Calculation of the length L of the taper

